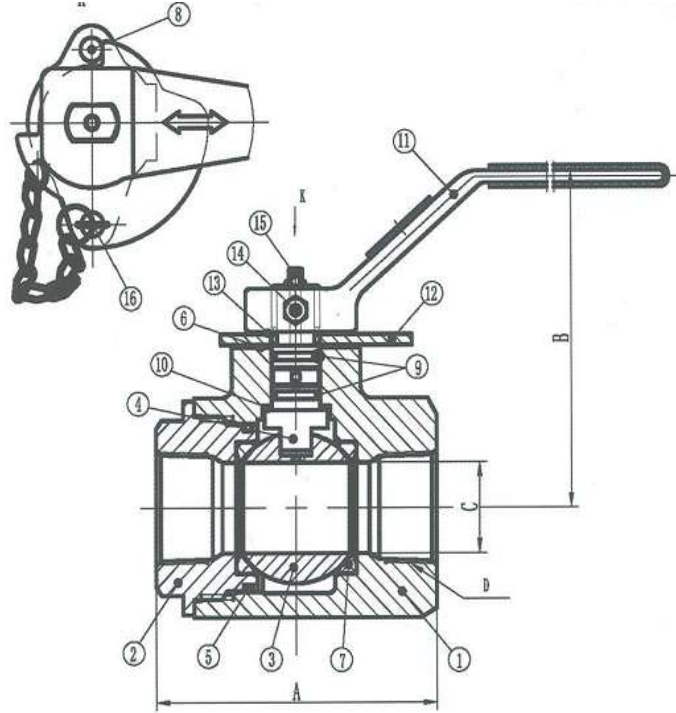


DI/CS Oilfield Ball valves (ZQ602US Series)



SPECIFICATIONS

NO.	Part	Material
1	Body	Ductile Iron/A216 WCB
2	Cap	Ductile Iron/A216 WCB
3	Ball	304SS
4	Stem	420
5	Body Seal	HNBR/Viton
6	Stem Bearing	PTFE
7	Seats	RPTFE/PEEK
8	Stop Pin	Steel
9	Stem Seal	HNBR
10	Thrust Bearing	PTFE
11	Handle	Carbon steel
12	Stop Plate	Steel
13	retainer Ring	Steel
14	Handle Screw	Carbon steel
15	Grease Zerw	Copper
16	Pin With Chain	Carbon steel



DIMENSIONS

Part#	Size	Pressure	Weight(KG)	Material	PORT	A	B	C
ZQ602US-CS1FP-2000	1"	2000PSI	2.15	Carbon Steel	FP	102	101	25.4
ZQ602US-CS1FP-2500	1"	2500PSI	2.15		FP	102	101	25.4
ZQ602US-CS1FP-3000	1"	3000PSI	2.15		FP	102	101	25.4
ZQ602US-CS1FP-5000	1"	5000PSI	2.15		FP	102	101	25.4
ZQ602US-CS15FP-2000	1-1/2"	2000PSI	6.15		FP	140	140.5	38
ZQ602US-CS15FP-2500	1-1/2"	2500PSI	6.15		FP	140	140.5	38
ZQ602US-CS15FP-3000	1-1/2"	3000PSI	6.15		FP	140	140.5	38
ZQ602US-CS15FP-5000	1-1/2"	5000PSI	6.15		FP	140	140.5	38
ZQ602US-CS2RP-2000	2"	2000PSI	6.05		RP	140	140.5	38
ZQ602US-CS2RP-2500	2"	2500PSI	6.05		RP	140	140.5	38
ZQ602US-CS2RP-3000	2"	3000PSI	6.05		RP	140	140.5	38
ZQ602US-CS2RP-5000	2"	5000PSI	6.05		RP	140	140.5	38
ZQ602US-CS2FP-2000	2"	2000PSI	8.46		FP	152.4	150.5	50.8
ZQ602US-CS2FP-2500	2"	2500PSI	8.46		FP	152.4	150.5	50.8
ZQ602US-CS2FP-3000	2"	3000PSI	8.46		FP	152.4	150.5	50.8
ZQ602US-CS2FP-5000	2"	5000PSI	8.46		FP	152.4	150.5	50.8
ZQ602US-CS3FP-1500	3"	1500PSI	24		FP	222	184	76
ZQ602US-CS3FP-2000	3"	2000PSI	24		FP	222	184	76
ZQ602US-CS3FP-3000	3"	3000PSI	24		FP	222	184	76
ZQ602US-CS4RP-2000	4"	1000PSI	21.35		RP	222	184	76
ZQ602US-CS4RP-2000	4"	2000PSI	21.35	RP	222	184	76	
ZQ602US-DI1FP-1000	1"	1000PSI	1.93	Ductile Iron	FP	102	101	25.4
ZQ602US-DI1FP-1500	1"	1500PSI	1.93		FP	102	101	25.4
ZQ602US-DI1FP-2000	1"	2000PSI	1.93		FP	102	101	25.4
ZQ602US-DI2RP-1000	2"	1000PSI	5.12		RP	140	140.5	38
ZQ602US-DI2RP-1500	2"	1500PSI	5.12		RP	140	140.5	38
ZQ602US-DI2RP-2000	2"	2000PSI	5.12		RP	140	140.5	38

DUE TO CONTINUOUS DEVELOPMENT OF OUR PRODUCTS, WE RESERVE THE RIGHT TO MODIFY OUR PRODUCT DESIGN OR CONSTRUCTION WITHOUT PRIOR NOTICE.